



# PETROFAST

MIDDLE EAST FZC

FASTENING SOLUTIONS WITH EXPERIENCE

# CATALOGUE OVERVIEW

- |     |                             |            |
|-----|-----------------------------|------------|
| 01. | Managing Director's Message | Page 01    |
| 02. | About Us                    | Page 02    |
| 03. | Vision & Mission            | Page 03    |
| 04. | Infrastructure              | Page 04    |
| 05. | Production Capability       | Page 05    |
| 06. | Quality Control             | Page 06    |
| 07. | Product Portfolio           | Page 07-24 |
| 08. | Technical Details           | Page 27-28 |

## MANAGING DIRECTOR'S MESSAGE & VISION

### Mr. NADEEM SHAHID

Managing Director



#### OUR JOURNEY

The journey that began 20 years ago as a small-scale trading firm dealing in assorted steel products has today evolved into a globally recognized name in steel fasteners manufacturing and supply. Petrofast Group is proud to serve a wide range of sectors such as oil & gas, petrochemical, marine, renewable energy, desalination, nuclear and many more.

#### WHAT WE STAND FOR

Driven by industry standards and performance precision, our core objective is to deliver excellence and ensure customer satisfaction. Our products meet critical operations in some of the world's most demanding sectors, and we have zero tolerance policy on quality, service and integrity.



#### GLOBAL REACH, TRUSTED QUALITY

Operating under the name of Petrofast group, we've built a strong global presence by delivering premium-grade steel and alloy materials manufactured as per the customers requirements to local and international destinations. We assure the quality of our products that meets the customers trust always.

#### LOOKING AHEAD

With experience in business strategy, digital marketing, and customer engagement, we are dedicated to steering Petrofast Middle East FZC into new markets through innovation solutions and unmatched service. We deeply value the trust of our clients, partners, and employees. Your continued support is the foundation of our success and the reason we keep growing.



We are committed to driving growth through innovation, expanding our global presence, and delivering consistent quality and value to our customers. Together, we move forward with trust, integrity, and excellence at every step.

# ABOUT US

With more than 20 years of experience, Petrofast Middle East FZC is one of the top manufacturer and supplier of fasteners in the GCC region with a manufacturing facility spread in 10,000 sq. mtrs. We mainly focus on preserving quality, service and value of our products. We have complete range of structural fasteners within our inventory manufactured with the latest technology at our facilities. Every product is offered with complete traceability and test reports as per international standard specifications. Additionally, we also manufacture items to meet your requirements in any material grade and finish if it's not readily available in our inventory.



# VISION & MISSION

Building a legacy of precision, trust and performance.

## OUR VISION

To achieve an indelible mark on the industry, shaping a legacy of quality, precision, and client satisfaction for generations.

## OUR MISSION

As a trusted partner, delivering high-quality products through precision-driven processes, effective planning and ensuring dependable execution that drives client confidence and success.



# INFRASTRUCTURE

Our production facilities are equipped to handle a complete spectrum of metal fabrication from precision cutting, threading, bending, milling, drilling, tapping, flattening, slotting, notching, welding, marking to advanced heat treatment and galvanizing, our machineries and equipment, such as automatic band saw, CNC & thread rolling, hydraulic press, shot blasting, laser marking machines ensure superior quality, efficiency, and consistency across every project. This vertical integration allows us to manage every stage of production from raw material to finished product ensuring full control over cost, schedule, and quality.

In house PTFE coating plant enhances our capability to meet demanding surface performance requirements, providing superior corrosion resistance, low friction properties for our products. Efficient material handling is supported by our forklifts, enabling safe and seamless management of pallets, boxes, and vehicle loading or offloading operations.



# PRODUCTION CAPABILITY

LIST OF MACHINE	FUNCTION
Auto band saw machine	Cutting round bar & threaded bars
Rolling machine	Thread forming
Cut thread machine	Threading
Tapping machine	Tapping
Chamfering machine	Chamfering
Marking machine	Stamping, manufacture ID & material grade
Drilling machine	Drilling
Lathe	All kinds of machining
Shear cutter	Rod cutting up to 42mm
Bench grinder	Sharpening tools
Milling machine	Slots & keyway
Mechanical press	Bending, cutting & punching
Cutting off wheel grinder	Cutting steel bars
MIG welding machine	Welding
Profile cutting machine	Plate cutting
Fork lift	Loading & offloading
FIE Hardness Tester	Hardness Test
Pit type furnace	Tempering
Conveyor oven	PTFC curing
Hydraulic press	Bending
Air compressor	Produce compressed air
Shots blasting machine	Surface cleaning
Auto blending machine	Bending
Laser marking machine	Marking on products
Assembly machine	Fasteners assembling
Universal Testing Machine	Mechanical Properties

# QUALITY CONTROL



Petrofast Middle East FZC operates under an ISO 9001:2015 certified Quality Management System, ensuring consistent performance and reliability across all operations.



Our commitment to quality is driven by skilled personnel, a strong culture of accountability, and a customer-focused approach. Every team member plays a vital role in maintaining the highest standards.



All products undergo rigorous testing in accordance with international standards through stringent internal procedures and ISO 17025 approved laboratories. We also provide project-specific testing based on client requirements and application conditions.



Fasteners are verified for:

- Chemical composition
- Mechanical properties
- Dimensional accuracy
- Coating thickness



All inspection equipment is regularly calibrated to ensure accuracy and reliability. Advanced testing services include Positive Material Identification (PMI) for specialty alloys such as duplex and nickel-based materials, as well as Non-Destructive Testing (NDT) methods including Dye Penetrant (DP) testing.



Comprehensive in-process and final inspections ensure the delivery of defect-free, high-quality products that meet the most demanding industry standards

# STUD BOLTS & ENGINEERING STUDS, FULL THREADED BARS & NUTS

We have complete range of Stud Bolts, Engineering Studs, Full Threaded Bars in accordance with ASTM A193/A193M, G. B7/B7M, B16, B8/B8M class 1 & 2, B8C, B8T, B8MCuLN. ASTM A320/A320M, Gr. L7/L7M, L43, B8/B8M class 1 & 2, B8C, B8T. ASTM A276, 304/304L/316/316L, 310, 410, ISO3506-1, A2-70, A4-70, A4L-70, A4-80, A4L-80. ASTM A453 Gr 660 class A, B, C and D. ISO 898 CL 4.6, 8.8, 10.9, 12.9. Incoloy 625, 825, 925, Hastelloy, Monel 400, 500, further grades are available upon request.

Stud Bolts, Engineering Studs, Full Threaded Bars & Nuts comes in a variety of coatings including Polytetrafluoroethylene (PTFE) in various colors, Hot Dip Galvanized (HDG), Electro Zinc Plated, Yellow Passivated, Black, Phosphate, Electroless Nickel Plated (ENP), Zinc Nickel plated etc.



ASTM A194 Grades 2H, 2HM, GR 7L, 7ML, 8, 8M, 8MA, 8MCuLNA, 8C, 8T.

ISO3506-2, A2-70, A4-70, A4L-70, A4-80, A4L-80. ASTM A276 Grade S31803, S32205, S32750, S32760. Incoloy 625, 825, 925, Hastelloy, Monel 400, 500. ISO 898-2 Class 4, 8, 10, 12 & further grades are available upon request.

# STRUCTURAL HEAVY HEX BOLTS & HEAVY HEX NUTS

ASTM F3125 and F3125M-22 is Standard Specification for High Strength Structural Bolts and Assemblies with ASTM A563/A563M Class DH & 10S.

- This specification is a consolidation and replacement of six ASTM standards, including; A325, A325M, A490, A490M, F1852 and F2280.
- This consolidated standard is to ensure alignment between standards with the same intended end use and to simplify the use and maintenance of structural bolt specifications.
- Inch Dimensions 120 ksi and 150 ksi Minimum Tensile Strength, and Metric Dimensions 830 MPa and 1040 MPa Minimum Tensile Strength.
- Surface Finish: Black, Hot Dip Galvanized & Electro Zinc Plated.



# HEX BOLTS

As per DIN 931/DIN 933, ISO 4014, ISO 4017, CL 4.8, 8.8, 10.9 & 12.9. ISO3506-1, A2-70, A4-70, A4L-70, A4-80, A4L-80. UNS N06625, S32750, S32760, S31803, S32205 & further grades are available upon request.

Surface Finish: Hot Dip Galvanized, Electro Zinc Plated, Yellow Passivated, Black, Oxidized Mill Finish,& Stainless Steel (Bright Finish)



# HEX NUTS

As per DIN 934/ISO 4032, CL 4, 8, 10 & 12. ISO3506-2, A2-70, A4-70, A4L-70, A4-80, A4L-80. UNS N06625, S32750, S32760, S31803, S32205 & further grades are available upon request.

Surface Finish: Hot Dip Galvanized, Electro Zinc Plated, Yellow Passivated, Black, Oxidized Mill Finish, & Stainless Steel (Bright Finish)



# SQUARE NECK/ CARRIAGE BOLT

As per DIN 603, ISO 8677 CL. 4.8, 6.8 & 8.8

Stainless Steel: 304 & 316

Surface Finish: Hot Dip Galvanized, Electro Zinc Plated, Yellow Passivated, Black, & Stainless Steel (Bright Finish)



## T-BOLTS

As per DIN 186, DIN188 CL. 4.8, 6.8 & 8.8

Stainless Steel: 304 & 316

Surface Finish: Hot Dip Galvanized, Electro Zinc Plated, Yellow Passivated, Black, & Stainless Steel (Bright Finish)





## FLANGE BOLTS

DIN6921 CL. 4.8, 6.8 & 8.8

Stainless Steel: 304 & 316

Surface Finish: Hot Dip Galvanized, Electro Zinc Plated, Yellow Passivated, Black, & Stainless Steel (Bright Finish)

## FLANGE NUTS

DIN6923 with serration CL. 4, 6 & 8

Stainless Steel: 304 & 316

Surface Finish: Hot Dip Galvanized, Electro Zinc Plated, Yellow Passivated, Black, & Stainless Steel (Bright Finish)



## HEX NYLON INSERT NUTS

DIN985, DIN982 CL. 4, 6, 8

Stainless Steel: 304 & 316

Surface Finish: Hot Dip Galvanized, Electro Zinc Plated, Yellow Passivated, Black, & Stainless Steel (Bright Finish)

## HEX SLOTTED CASTLE NUTS

DIN935 CL. 4, 6, 8

Stainless Steel: 304 & 316

Surface Finish: Hot Dip Galvanized, Electro Zinc Plated, Yellow Passivated, Black, & Stainless Steel (Bright Finish)



# U BOLTS

All types of "U"bolts, neoprene sleeves & teflon pads are available as per standard and special sizes can be produced upon request.

U bolts are available in various steel material ranging from mild steel, carbon steel, alloy steel, stainless steel, duplex & super duplex.

Surface Finish: Hot Dip Galvanized, Electro Zinc Plated, Yellow Passivated, Black, Stainless Steel (Bright Finish), Polytetrafluoroethylene (PTFE) coated.



# PIPE CLAMPS

All types of pipe clamps are available in various steel material ranging from mild steel, carbon steel, alloy steel, stainless steel as per standard and special sizes can be produced upon request.

Surface Finish: Hot Dip Galvanized, Electro Zinc Plated, Powder coated, Black, Stainless Steel (Bright Finish).



# TYPES OF WASHERS

Flat Washers, Spring Washers, Square Washers, Spherical Washers, DTI Washers, Belleville/Disc Washers, Hill Side Washers & Taper Washers.

DIN 125, DIN 127, DIN 434, ASTM F436M T-1, ASTM F959, EN 14399-5, DIN6916, EN 14399-6, 8.8-1, 10.9

Stainless Steel: 304 & 316

Surface Finish: Hot Dip Galvanized, Electro Zinc Plated, Yellow Passivated, Black, Stainless Steel (Bright Finish), Polytetrafluoroethylene (PTFE) coated.



# HEX THIN NUTS & HEX LONG NUTS

DIN 439, DIN 936, ISO 4035, ASTM A194, DIN6334 CL. 4 & 8

Stainless Steel: 304 & 316

Surface Finish: Hot Dip Galvanized, Electro Zinc Plated, Yellow Passivated, Black, Stainless Steel (Bright Finish), Polytetrafluoroethylene (PTFE) coated.



# ANCHOR BOLTS / FOUNDATION BOLTS

We specialize in custom-manufactured anchor bolts / foundation bolts as per client drawings, as well as standard drawings.

Types of Anchor Bolts / Foundation Bolts:

Straight, L type, J type, nut welded, nut & plate welded, plate welded, plate & sleeve welded.

Standard Specification: EN10025-2

Grade: S275JR & S355JR

Finish: Hot Dip Galvanized / Black

Standard Specification: ASTM F1554

Grade: 36, 55 & 105

Finish: Hot Dip Galvanized / Black

Standard Specification: ISO 898-1

Grade: 4.6, 8.8 & 10.9

Finish: Hot Dip Galvanized & Black

Standard Specification: ASTM A276

Grade: SS304, SS304L, SS316, SS316L, S31803, S32750 & S32760

Finish: Bright Finish



# DROP IN ANCHOR

Mild Steel

Stainless Steel: 304 & 316

Surface Finish: HDG, Zinc Plated & Stainless Steel (Bright Finish)



# WEDGE ANCHOR & THROUGH BOLT

Mild Steel

Stainless Steel: 304 & 316

Surface Finish: HDG, Zinc Plated & Stainless Steel (Bright Finish)

# SLEEVE EXPANSION ANCHOR BOLT

Mild Steel

Stainless Steel: 304 & 316

Surface Finish: HDG, Zinc Plated & Stainless Steel (Bright Finish)



# CHEMICAL ANCHOR BOLT

Mild Steel

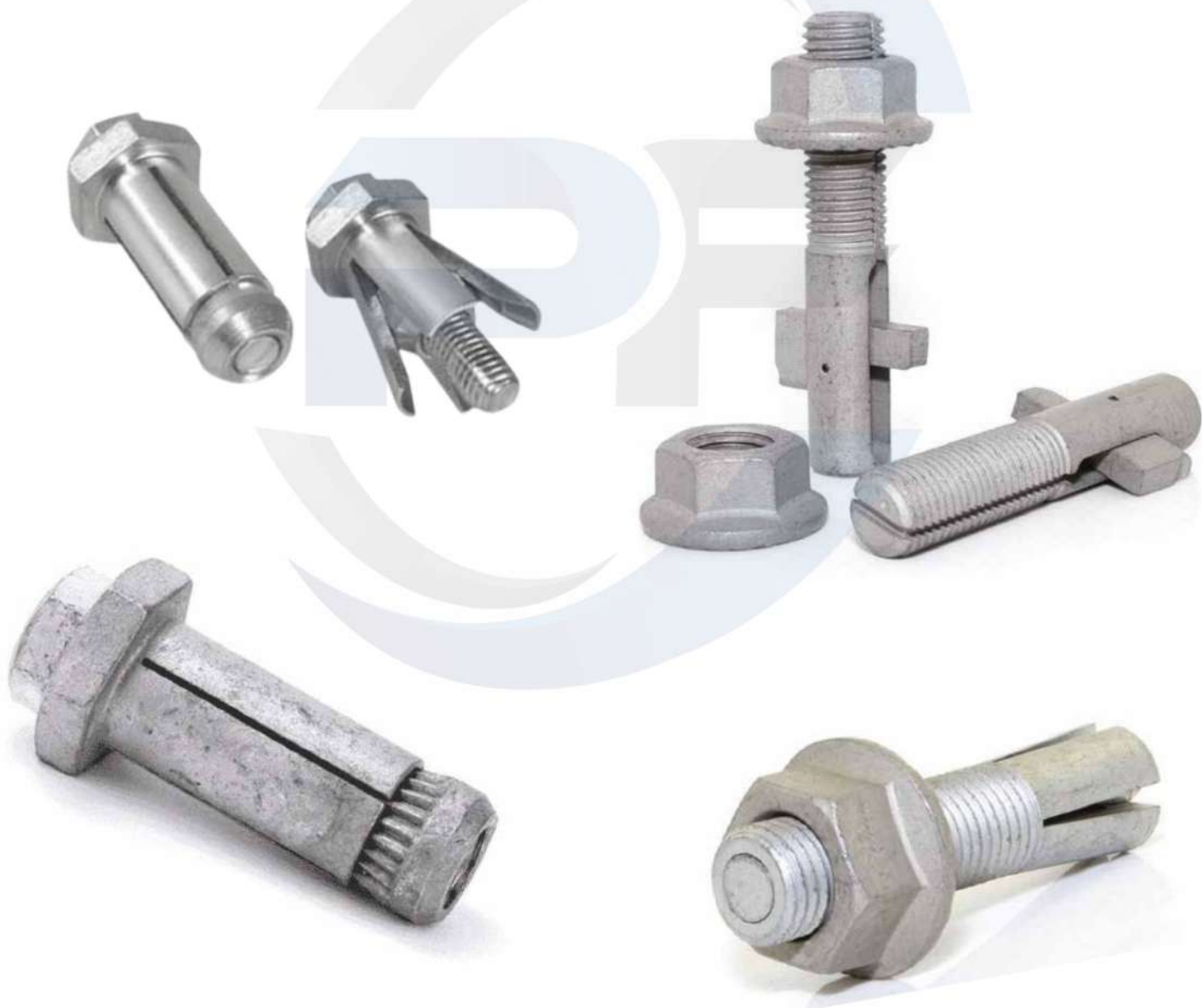
Stainless Steel: 304 & 316 Surface Finish: HDG, Zinc Plated & Stainless Steel (Bright Finish)



# HOLLOW / BOX / BLIND BOLTS

PFME Blind Bolts are a proven blind fixing solution, fully tested and approved for joining hollow section steel work and other steel constructions where access is limited to one side. They eliminate the need for tapping, welding, strapping, or through-bolting, offering a fast and simple installation process. PFME Blind Bolts are compatible with square, round, and rectangular hollow sections.

Featuring a hexagon head, PFME Blind Bolts can be installed using standard hand tools. For projects where minimal assembly time is critical, a dedicated PFME Blind Bolt installation tool is also available.



# HEX SOCKET COUNTERSUNK SCREWS & SOCKET SET SCREWS

DIN 7991, DIN 916, Grades: CL 4.8, 6.8, 8.8, 10.9, 12.9

Stainless Steel: 304, 304L, 316, 316L

Duplex & Super Duplex.

Surface Finish: HDG, Zinc Plated, Black & Stainless Steel  
(Bright Finish)



# HEX SOCKET BUTTONHEAD SCREWS

ISO 7380 CL. 4.8, 6.8, 8.8, 10.9, 12.9

Stainless Steel: 304 & 316

Surface Finish : HDG, Zinc Plated, Black & Stainless  
Steel (Bright Finish)



# EYE BOLTS

DIN444, DIN580 CL. 4.8, 6.8 & 8.8

Stainless Steel: 304 & 316

Surface Finish: HDG, Zinc Plated, Black & Stainless Steel (Bright Finish)



# HEXAGONAL SOCKET BOLT

DIN912 CL.4.8,6.8,8.8,10.9&12.9

Stainless Steel: 304 & 316

Surface Finish: HDG, Zinc Plated, Black & Stainless Steel (Bright Finish)



# TURNBUCKLES, CLEVIS, EYE NUTS & ASSEMBLIES

All assembly items are drop-forged from special bar quality steel and have right-hand and left-hand Class 2B threads.

## Specifications:

Material: C-1030/C-1035, 316 Stainless Steel, SA-182-F11,

F22 Threads: U.N.C./U.N.F. Class 2B, Metric

Finish: Self-Colored, Galvanized, Plated, Electro-Polished

Options: Heat Treating, Special Threading



# SPRING TYPE STRAIGHT PINS

DIN1481 CL. 4.8, 6.8, 8.8

Stainless Steel: 304 & 316

Surface Finish : HDG, Zinc Plated, Black & Stainless Steel (Bright Finish)



# ROUND HEAD RIVET

DIN124, DIN660, DIN674 CL. 4.8

Stainless Steel: 304 & 316

Surface Finish: HDG, Zinc Plated, Black & Stainless Steel (Bright Finish)

# RIVETED NUTS

Mild Steel

Stainless Steel: 304 & 316

Surface Finish: Black, Zinc Plated & Stainless Steel (Bright Finish)



# BLIND RIVET

Carbon steel & Aluminum

Stainless Steel: 304 & 316

Surface Finish : Zinc Plated & Stainless Steel (Bright Finish)

# SELF DRILLING SCREW SELF TAPPING SCREW

Carbon steel

Stainless Steel: 304 & 316

Different Type of heads:

Pan Philips, CSK Philips, Round, Pan, Cheese & Slotted Hex Head.

Surface Finish: Zinc Plated & Stainless Steel (Bright Finish)



# SHEAR STUDS

Shear Connector is one of the typical applications of arc stud welding technology, which is composed of shank, cheese head and welding end with aluminium arc flux. It is mainly used in steel-concrete structure buildings to provide the anti-shear force between the steel structure components and the concrete layer, which is combined into a stress whole.

ISO 13918 Welding - Studs and ceramic ferrules for arc stud welding

- AWS D1.1 Structural Welding Code - Steel
- AWS D1.5 Bridge Welding Code
- AWS D1.6 Structural Welding Code - Stainless Steel
- GB/T 10433 Cheese Head Studs For Arc Stud Welding
- JIS B 1198 Headed Studs



# GASKETS & FLANGES



The spiral wound gasket, available in various configurations of high quality metals and materials, is tailored individually to meet the demands of each application. Spiral Wound Gaskets are suitable for a wide range of operating conditions and can be adapted to suit almost all applications. The gaskets can seal fluid pressures up to 250 bar and temperature range of -200°C to in excess of 450°C. Metallic Ring Joint Gaskets are suitable for high pressure and high temperature applications. The Joint Gaskets are available in R, RX, BX styles and in oval/octagonal profiles. The Ring Joint Gaskets fully comply with the ASME B16.20 standard.

Petrofast ME supplies pipe fittings and flanges also. We provide a wide range of superior piping materials like Carbon steel, Stainless Steel, Alloy 625, Duplex, Super Duplex, Nickel Alloys, Phenolic sleeves and much more. For low-pressure piping we offer threaded Stainless Steel Flanges that attach without welding. For higher pressure pipes we stock slip-on flanges (welded inside and out), weld-neck flanges (attached with butt welding) and socket weld flanges (tight fitting and welded). We also supply blind flanges for pipe inspection, lap-joint flanges for easy dismantling, spectacle flanges for limiting the pipe flow and orifice flanges for easy access.



Dimensions in accordance with: ANSI B16.5, ANSI B16.47, BS EN 1092-1, ANSI B16.36 (Orifice flanges) Size range: 1/2" - 36" Flanges Class: 150 lb, 300 lb, 600 lb, 900 lb, 1500 lb, 2500 lb.

Contact us for more information on our range of gaskets & flanges.

# ROUND BARS PIPES & TUBES



We stock round bars in various steel grades such as Mild Steel, Alloy Steel, Carbon Steel, Stainless Steel, Duplex & Super Duplex Steel in various diameters, lengths & finishes. Any additional grades for round bars are available upon requests.



# DUPLEX AND SUPER DUPLEX STEELS

Duplex and Super Duplex steels are types of stainless steel known for their excellent corrosion resistance, strength, and durability. They are widely used in industries like oil & gas, chemical processing, desalination, and marine applications.

## TYPE DESCRIPTION

**Duplex Stainless Steel:** A family of stainless steels with a mixed microstructure of approximately 50% ferrite and 50% austenite.

**Super Duplex Stainless Steel:** A higher-alloyed version of duplex with enhanced corrosion resistance and mechanical strength.

Type	DIN	UNS	EN	ASTM
Super Duplex	1.450 1	S32760	X2CrNiMoCuWN25-7-4	A276
Super Duplex	1.441 0	S32750	X2CrNiMoN25-7-4	A276
Duplex	1.446 2	S31803, S32205	X2CrNiMoN22-5-3	A276



# STEEL FABRICATION

Petrofast Middle East delivers in-house quality assurances and state-of-the-art equipment for fabrication of structural steel, piping, pressure vessels, platform structures, silos and tanks.

Our steel fabrication division provides thousands of tons of top-quality structural steel projects annually to construction, manufacturers, and other firms throughout GCC. All our functional designs are built with the highest quality materials and the best workmanship available in today's market place.

Petrofast Middle East facilities allow the output of large structures under limited timeframes with top efficiency. Our site has superior provisions for transportation access and allows us to provide.

- Steel Fabrication
- Erection
- Coatings
- Platforms
- Stairways
- Caged Ladders
- Railings
- Handrails
- Plate Works
- Ducts and Transitions
- Louvers and Dampers
- Super Structures and Structural
- Modular Steel Construction
- Supports
- Stacks
- Columns
- Pressure Vessels
- Scrubbers
- Process Piping
- Square Storage Containment
- Ductwork
- Drums
- Tray Towers
- Convection Boxes
- Flare Tips
- Burner Assemblies
- Absorbers
- Air Receivers
- Floating Roofs
- Steel Retrofit Applications
- Heavy Custom Steel Fabrication



# MECHANICAL AND PIPING

Petrofast Middle East offers turn-key solutions for industrial piping applications and equipment installation. Our skilled field personnel has proven experience in the engineering, construction, and fabrication of specialized mechanical and piping systems for institutional and commercial construction. Petrofast brings quality, efficiency and comprehensive set of services encompassing projects pre-assembly, design, procurement, project management, and scheduling.

We understand the challenges faced by today's industry: the need to reduce operational costs, maximize uptime and optimize efficiency. We ensure the highest level of asset integrity and reliability to our clients. We create a solid plan detailing all aspects and risks associated with a particular project to assure reliable production, quick turn-around, and safety. Irontech's typical projects include:

- ▶ ASME / NBIC works.
- ▶ Piping and pipe lines
- ▶ Process equipment installation.
- ▶ Welding and metal fabrication.
- ▶ Orbital process pipe welding.
- ▶ Balance of plant.

## **Pipe fabrication and installation in small bore and large bore piping:**

Carbon steel heavy wall pipe, Stainless steel and alloys, High-density polyethylene pipe, Polypropylene pipe.

## **WE HAVE EXPERTISE IN THESE MATERIALS:**

- Stainless Steel
- Carbon Steel
- Aluminum
- Duplex Stainless
- Nickel Alloys (C276, Monel, Inconel)
- Hastelloy
- Chrome Alloys (P11, P22, P5, P91, P92)

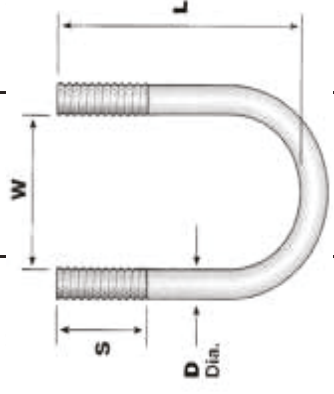
# FASTENER'S TECHNICAL DATA SHEET

Specification	Grade	C	Si	Mn	P	S	Cr	Ni	Mo	Al	Cu	V	N	Ti	B	Nb+Ta	Fe	Co	Zn	Pb	W	Cd	CE	Sn	Size	Tensile	Yield	%EL	%RA	Hardness	Impact Temp	Impact Result (ft-lb)
ASTM A193/A193M	B7	0.38-0.48	0.15-0.35	0.75-1.00	0.035	0.04	0.80-1.10	-	0.15-0.25	-	-	-	-	-	-	-	-	-	-	-	-	-	-	2.1/2" (M64) and under	125 ksi (860Mpa)	105 ksi (720Mpa)	16%	50%	321 HBW OR 35 HRC	-	-	
	B7M	0.38-0.48	0.15-0.35	0.75-1.00	0.035	0.04	0.80-1.10	-	0.15-0.25	-	-	-	-	-	-	-	-	-	-	-	-	-	-	Over 2.1/2" (M64) - 1" (M24)	100 ksi (690Mpa)	75 ksi (515Mpa)	18%	50%	321 HBW OR 35 HRC	-	-	
	B8	0.080	1.000	2.000	0.045	0.03	18.0-20.0	8.0-11.0	-	-	-	-	-	-	-	-	-	-	-	-	-	-	-	Over 4" (M100) - 7" (M180)	100 ksi (690Mpa)	80 ksi (550Mpa)	18%	50%	235 HBW or 99 HRB	-	-	
	B8A	0.080	1.000	2.000	0.045	0.03	18.0-20.0	8.0-11.0	-	-	-	-	-	-	-	-	-	-	-	-	-	-	-	Over 4" (M100) - 7" (M180)	100 ksi (690Mpa)	80 ksi (550Mpa)	18%	50%	235 HBW or 99 HRB	-	-	
	B8M	0.080	1.000	2.000	0.045	0.03	16.0-18.0	10.0-14.0	2.00-3.00	-	-	-	-	-	-	-	-	-	-	-	-	-	-	Over 4" (M100) - 7" (M180)	100 ksi (690Mpa)	80 ksi (550Mpa)	18%	50%	235 HBW or 99 HRB	-	-	
	BBW4	0.080	1.000	2.000	0.045	0.03	16.0-18.0	10.0-14.0	2.00-3.00	-	-	-	-	-	-	-	-	-	-	-	-	-	-	Over 4" (M100) - 7" (M180)	100 ksi (690Mpa)	80 ksi (550Mpa)	18%	50%	235 HBW or 99 HRB	-	-	
	BBW3	0.080	1.000	2.000	0.045	0.03	16.0-18.0	10.0-14.0	2.00-3.00	-	-	-	-	-	-	-	-	-	-	-	-	-	-	Over 4" (M100) - 7" (M180)	100 ksi (690Mpa)	80 ksi (550Mpa)	18%	50%	235 HBW or 99 HRB	-	-	
	BB CL2	0.080	1.000	2.000	0.045	0.03	18.0-20.0	8.0-11.0	-	-	-	-	-	-	-	-	-	-	-	-	-	-	-	Over 2" (M48) - 2.1/2" (M54)	90 ksi (620 Mpa)	65 ksi (450 Mpa)	30%	40%	321 HBW OR 35 HRC	-	-	
	BBM CL2	0.080	1.000	2.000	0.045	0.03	16.0-18.0	10.0-14.0	2.00-3.00	-	-	-	-	-	-	-	-	-	-	-	-	-	-	Over 2.1/2" (M54) - 3" (M72)	80 ksi (550 Mpa)	55 ksi (345 Mpa)	30%	40%	321 HBW OR 35 HRC	-	-	
	BB CL1	0.38-0.47	0.15-0.35	0.45-0.70	0.035	0.04	0.80-1.15	-	-	0.50-0.65	0.015	-	0.25-0.35	-	-	-	-	-	-	-	-	-	-	-	Over 3/4" (M20) - 1" (M24)	100 ksi (690Mpa)	80 ksi (550 Mpa)	20%	45%	321 HBW OR 35 HRC	-101°C	271
ASTM A320/A320M	B8T	0.080	1.000	2.000	0.045	0.03	17.0-19.0	9.0-12.0	-	-	-	-	-	-	-	-	-	-	-	-	-	-	-	Over 1" (M24) - 1.1/4" (M30)	95 ksi (655 Mpa)	65 ksi (450 Mpa)	25%	45%	321 HBW OR 35 HRC	-	-	
	B8TA	0.080	1.000	2.000	0.045	0.03	17.0-19.0	9.0-12.0	-	-	-	-	-	-	-	-	-	-	-	-	-	-	-	Over 1" (M24) - 1.1/4" (M30)	95 ksi (655 Mpa)	65 ksi (450 Mpa)	25%	45%	321 HBW OR 35 HRC	-	-	
	L7	0.38-0.48	0.15-0.35	0.75-1.00	0.035	0.04	0.80-1.10	-	0.15-0.25	-	-	-	-	-	-	-	-	-	-	-	-	-	-	Over 2.1/2" (M54) and under	125 ksi (860Mpa)	105 ksi (720Mpa)	16%	50%	321 HBW/35 HRC	-73°C	271	
	L43	0.38-0.43	0.15-0.35	0.60-0.85	0.035	0.04	0.70-0.90	1.5-2.00	0.20-0.30	-	-	-	-	-	-	-	-	-	-	-	-	-	-	Over 2.1/2" (M54) and under	125 ksi (860Mpa)	105 ksi (720Mpa)	16%	50%	321 HBW/35 HRC	-73°C	271	
	L7M	0.38-0.48	0.15-0.35	0.75-1.00	0.035	0.04	0.80-1.10	-	0.15-0.25	-	-	-	-	-	-	-	-	-	-	-	-	-	-	Over 2.1/2" (M54) and under	125 ksi (860Mpa)	105 ksi (720Mpa)	16%	50%	321 HBW OR 35 HRC	-	-	
	BB CL-1	0.080	1.000	2.000	0.045	0.03	18.0-20.0	8.0-11.0	-	-	-	-	-	-	-	-	-	-	-	-	-	-	-	Over 4" (M100) - 8" (M200)	100 ksi (690Mpa)	80 ksi (550 Mpa)	16%	45%	321 HBW OR 35 HRC	-	-	
	BBM CL-1	0.080	1.000	2.000	0.045	0.03	16.0-18.0	10.0-14.0	2.0-3.0	-	-	-	-	-	-	-	-	-	-	-	-	-	-	Over 4" (M100) - 8" (M200)	100 ksi (690Mpa)	80 ksi (550 Mpa)	16%	45%	321 HBW OR 35 HRC	-	-	
	BB CL-2	0.080	1.000	2.000	0.045	0.03	18.0-20.0	8.0-11.0	-	-	-	-	-	-	-	-	-	-	-	-	-	-	-	Over 3/4" to 1/2" (S20)	115 ksi (795Mpa)	80 ksi (550 Mpa)	15%	30%	321 HBW/35 HRC	-	-	
	BBM CL-2	0.080	1.000	2.000	0.045	0.03	16.0-18.0	10.0-14.0	2.0-3.0	-	-	-	-	-	-	-	-	-	-	-	-	-	-	Over 1.1/4 to 1.1/2 (S2-32)	105 ksi (720Mpa)	65 ksi (450 Mpa)	20%	35%	321 HBW/35 HRC	-	-	
	BBM CL-2	0.080	1.000	2.000	0.045	0.03	16.0-18.0	10.0-14.0	2.0-3.0	-	-	-	-	-	-	-	-	-	-	-	-	-	-	Over 1.1/4 to 1.1/2 (S2-40)	100 ksi (690Mpa)	50 ksi (345 Mpa)	28%	45%	321 HBW/35 HRC	-	-	
ASTM A194/A194M	2	0.15-0.40	0.400	1.000	0.040	0.05	-	-	-	-	-	-	-	-	-	-	-	-	-	-	-	-	-	3/4 (20) & under	110 ksi (760Mpa)	95 ksi (655 Mpa)	15%	45%	321 HBW/35 HRC	-	-	
	2H	0.15-0.40	0.400	1.000	0.040	0.05	-	-	-	-	-	-	-	-	-	-	-	-	-	-	-	-	-	Over 3/4" to 1/2" (S20)	115 ksi (795Mpa)	80 ksi (550 Mpa)	15%	30%	321 HBW/35 HRC	-	-	
	2HM	0.15-0.40	0.400	1.000	0.040	0.05	-	-	-	-	-	-	-	-	-	-	-	-	-	-	-	-	-	Over 1.1/4 to 1.1/2 (S2-40)	100 ksi (690Mpa)	50 ksi (345 Mpa)	28%	45%	321 HBW/35 HRC	-	-	
	77M	0.38-0.48	0.15-0.35	0.75-1.00	0.035	0.04	0.80-1.10	-	0.15-0.25	-	-	-	-	-	-	-	-	-	-	-	-	-	-	Over 1.1/4 to 1.1/2 (S2-40)	100 ksi (690Mpa)	50 ksi (345 Mpa)	28%	45%	321 HBW/35 HRC	-	-	
	8.8A	0.080	1.000	2.000	0.045	0.03	18.20	8.0-11.0	-	-	-	-	-	-	-	-	-	-	-	-	-	-	-	3/4 (20) & under	110 ksi (760Mpa)	95 ksi (655 Mpa)	15%	45%	321 HBW/35 HRC	-	-	
	8.8TA	0.080	1.000	2.000	0.045	0.03	17.15	9.0-12.0	-	-	-	-	-	-	-	-	-	-	-	-	-	-	-	Over 3/4" to 1/2" (S20)	100 ksi (690Mpa)	80 ksi (550 Mpa)	20%	35%	321 HBW/35 HRC	-	-	
	A320/A320M T-1	0.30-0.52	0.15-0.30	0.60 Mln	0.035	0.04	-	-	-	-	-	-	-	-	-	-	-	-	-	-	-	-	-	Over 3/4" to 1/2" (S20)	100 ksi (690Mpa)	80 ksi (550 Mpa)	20%	45%	321 HBW/35 HRC	-	-	
	A490/A490M T-1	0.30-0.48	-	0.60 Mln	0.035	0.04	-	-	-	-	-	-	-	-	-	-	-	-	-	-	-	-	-	Over 1.1/4 to 1.1/2 (S2-32)	95 ksi (655 Mpa)	65 ksi (450 Mpa)	25%	45%	321 HBW/35 HRC	-	-	
	A490/A490M T-3	0.30-0.58	-	0.60 Mln	0.035	0.04	0.45 Mln	0.20 Mln	0.10 Mln	-	-	0.20-0.60	-	-	-	-	-	-	-	-	-	-	-	Over 1.1/4 to 1.1/2 (S2-40)	90 ksi (620 Mpa)	50 ksi (345 Mpa)	30%	45%	321 HBW/35 HRC	-	-	
	CL 05	0.20-0.55	-	0.60 Mln	0.040	0.05	-	-	-	-	-	-	-	-	-	-	-	-	-	-	-	-	-	All	-	-	-	-	-	-	-	
ASTM A592/A592M	TYPE-1	-	-	-	0.050	0.06	-	-	-	-	-	-	-	-	-	-	-	-	-	-	-	-	-	All	-	-	-	-	-	-	-	
	TYPE-3	-	-	-	0.045	0.055	0.42-0.68	0.22-0.48	-	-	0.22-0.48	-	-	-	-	-	-	-	-	-	-	-	-	-	All	-	-	-	-	-	-	-
	140HV	-	-	-	-	-	-	-	-	-	-	-	-	-	-	-	-	-	-	-	-	-	-	All	-	-	-	-	-	-	-	
DIN125	200HV	-	-	-	-	-	-	-	-	-	-	-	-	-	-	-	-	-	-	-	-	-	-	All	-	-	-	-	-	-	-	
	200HV	-	-	-	-	-	-	-	-	-	-	-	-	-	-	-	-	-	-	-	-	-	-	All	-	-	-	-	-	-	-	
	300HV	-	-	-	-	-	-	-	-	-	-	-	-	-	-	-	-	-	-	-	-	-	-	All	-	-	-	-	-	-	-	
ISO 7089	T-1	0.27-0.58	-	0.47-0.93	0.048	0.53	-	-	-	-	-	-	-	-	-	-	-	-	-	-	-	-	-	All	-	-	-	-	-	-	-	
	T-3	-	0.13-0.37	-	0.045	0.055	0.42-0.68	0.22-0.48	-	-	0.22-0.48	-	-	-	-	-	-	-	-	-	-	-	-	-	All	-	-	-	-	-	-	-
	4.6	0.550	-	-	0.050	0.06	-	-	-	-	-	-	-	-	-	-	-	-	-	-	-	-	-	All	400Mpa	240 Mpa	22%	-	321 HBW OR 35 HRC	-	-	



# U - BOLT STANADRAD SIZES

ROD DIA ( ' D ' )	U - Bolt ID ' W '	6 mm	8mm	10mm	12mm	16mm	20mm	22-24 mm	25 - 30 mm	32 - 42 mm
1/2"	21.7	40 / 20	40 / 20	45 / 25	X	X	X			
3/4"	27.3	45 / 22	50 / 25	50 / 25	X	X	X			
1"	34.7	50 / 25	55 / 30	55 / 30	55 / 30	X	X			
1 1/4"	40	60 / 30	65 / 30	60 / 35	60 / 35	X	X			
1 1/2"	50	70 / 30	80 / 35	80 / 35	80 / 35	X	X			
2"	60.3	85 / 40	85 / 40	90 / 40	90 / 40	X	X			
2 1/2"	76	105 / 40	105 / 40	105 / 40	105 / 45	X	X			
3"	90	120 / 45	120 / 45	125 / 45	130 / 50	130 / 50				
3 1/2"	100	140 / 50	145 / 50	145 / 50	145 / 50	150 / 50				
4"	115	150 / 50	150 / 50	150 / 50	150 / 65	150 / 65	155 / 65			
5"	140	165 / 60	165 / 60	175 / 60	175 / 65	180 / 70	180 / 75	X	X	X
6"	170	190 / 65	190 / 65	200 / 65	205 / 65	215 / 75	215 / 75	X	X	X
8"	220	X	X	280 / 90	280 / 90	280 / 90	280 / 90	290 / 100	X	X
10"	270	X	X	360 / 100	360 / 100	360 / 100	360 / 100	360 / 110	X	X
12"	320	X	X	X	375 / 100	390 / 100	X	390 / 110	X	X
14"	14"	X	X	X	X	455 / 100	X	460 / 110	X	X
16"	16"	X	X	X	X	X	X	475 / 150	X	X
18"	18"	X	X	X	X	X	X	570 / 150	X	X
20"	20"	X	X	X	X	X	X	640 / 150	X	X
22"	22"	X	X	X	X	X	X	670 / 150	670 / 150	680 / 160
24"	24"	X	X	X	X	X	X	740 / 150	740 / 150	760 / 160
26"	26"	X	X	X	X	X	X	X	810 / 200	810 / 200
28"	28"	X	X	X	X	X	X	X	850 / 200	860 / 200
30"	30"	X	X	X	X	X	X	X	910 / 200	925 / 200
32"	32"	X	X	X	X	X	X	X	950 / 200	970 / 200
34"	34"	X	X	X	X	X	X	X	950 / 200	1000 / 200
36"	36"	X	X	X	X	X	X	X	1000 / 200	1065 / 200
40"	40"	X	X	X	X	X	X	X	1125 / 200	1125 / 200



U - Bolt Depth ( L ) / Thread Length ( S )



# PETROFAST

## GROUP OF COMPANIES

Petrofast Middle East Fzc, Sharjah - UAE

Petrofast International Fzc, Sharjah - UAE

Petrofast International Inc, Houston - USA

Petrofast Metal & Alloys UK LTD - UK

Petrofast Engineering PVT LTD, Lahore - Pakistan

Al-Falah Metal Industrial Company - As Sarrar - K.S.A.

Amity Star Technical Services, Dubai - UAE

Phoenix Advanced Coatings & Metal Industries, Sharjah - U.A.E

### **Head Office:**

P.O. Box. 42439, Hamriyah Free Zone - Phase II, Sharjah, U.A.E.

Tel: +971 6 52 62 976 - Fax: +971 6 52 62 978

Cell: +971 55 609 0841

 [www.petrofastme.com](http://www.petrofastme.com)

 [info@petrofastme.com](mailto:info@petrofastme.com)



**Visit Us!**